



Wall Mount Pre-Rinse Installation Manual

DX-108, DX-109, DX-109-X

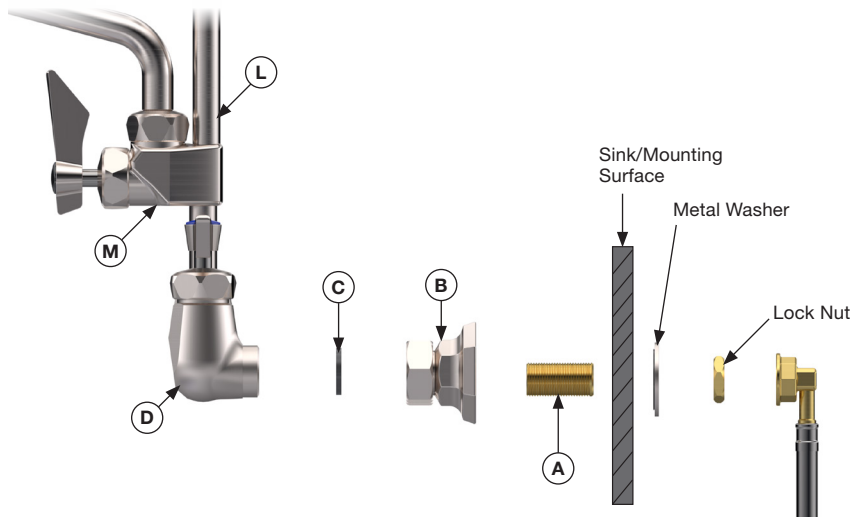


DIAMOND™
series

WARNING: Plumbing connections should be made by qualified personnel who will observe all applicable plumbing, sanitary and safety codes.

INSTALLATION NOTICE: Wall-mounted pre-rinse units must be anchored into a stud, masonry, or approved wall anchor system. Improper anchoring will void the warranty.

Figure 1



Installation Instructions

1. Turn off water supply at main source before proceeding with installation.
2. Thread sealant is already applied to one side of each of the two 1/2" threaded nipples **(A)**.
3. Install the sealant-applied side of the threaded nipples **(A)** into the two 1/2" female threaded coupling flanges **(B)** and tighten properly. Note that the coupling flanges have eccentric centers, meaning if the holes in the mounting surface are not exactly 8" on center, you can slightly adjust the center distance.
4. From the front of the sink, insert the threaded nipples into the faucet holes in the sink. Make sure the coupling flanges are turned so the brass nipples are at the 12 o'clock position. This is necessary to make sure the faucet is level.
5. From the back of the sink, place the combination rubber & steel washer and lock nut from the included mounting kit onto the threaded nipples and tighten with a wrench (in that order).
6. From the front of the sink, insert the rubber washers **(C)** into the coupling flanges **(B)**.

7. Install the faucet body (D) onto the coupling flanges and tighten properly with a wrench. If the faucet does not fit on the coupling flanges, they will need to be rotated to fit the faucet as per step 4 above.
8. Install the pre-assembled add-on faucet body and spout (M) onto the faucet body (D) (Figure 2).
9. To assemble the pre-rinse, remove the riser pipe (L) and pre-rinse assembly from the box and thread onto the add-on faucet body (M). The pre-rinse spray head (H), hose (I), spring (J), and riser (L) have been assembled at the factory (Figure 4).
10. Determine the position on the wall for the wall bracket brace (F), making sure it is near the top of the riser pipe (L).
11. Determine the correct length of the support rod (E) from the wall to the riser pipe (L). Cut the support rod to size (Figure 3).
12. Install the wall bracket brace (F) on the wall with the included screws. Press the end of the support rod (E) into the bracket brace. Tighten set screw to secure it in place.
13. Install the head of the support rod (G) around the riser pipe (L) with the two supplied screws. Loosen the spray head hook (K) and center it on the riser pipe (L). Tighten when it is in place.
14. Loosen the spray head hook (K) and center it on the riser pipe (L). Tighten when it is in place.
15. From the back of the sink, install the included EZ Install Flexible Water Lines and tighten properly.

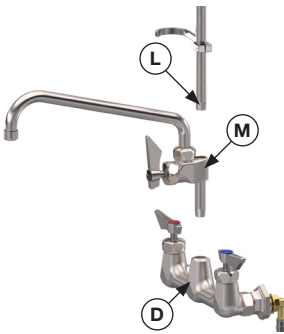


Figure 2

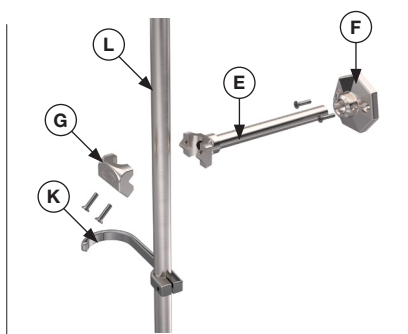


Figure 3

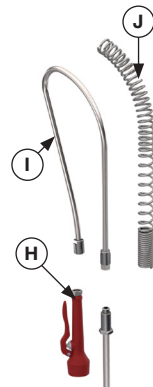
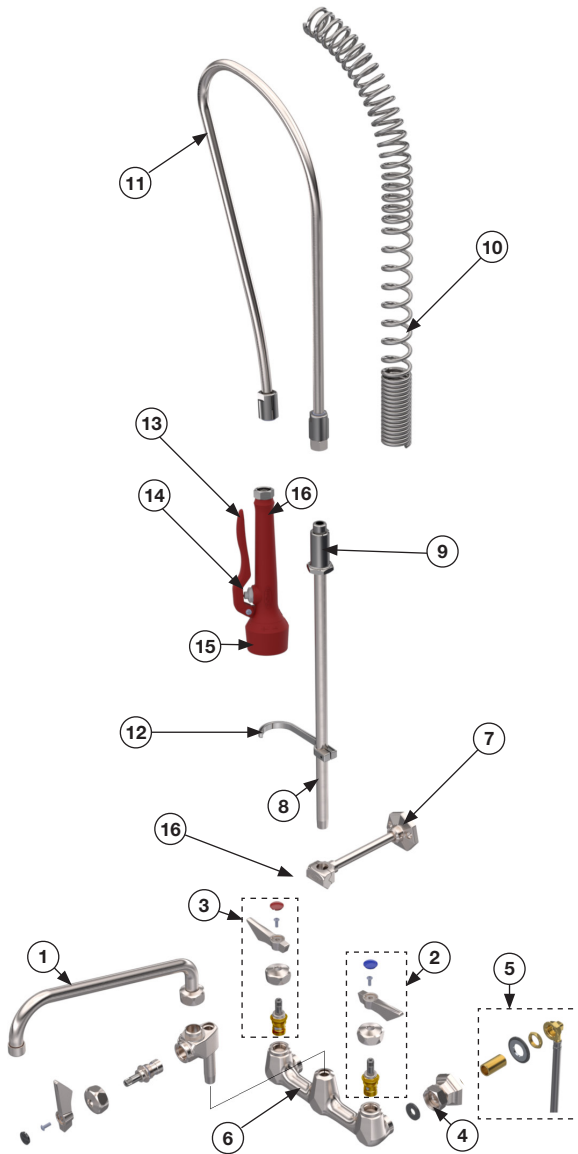


Figure 4



Parts Guide

No.	Model	Description
1	DX-138	Add-On Faucet with 6" Spout
1	DX-149	Add-On Faucet with 8" Spout
1	DX-139	Add-On Faucet with 12" Spout
1	DX-140	Add-On Faucet with 14" Spout
1	DX-141	Add-On Faucet with 16" Spout
2	DX-708	Cold 1/4 Turn Ceramic Cartridge Valve
3	DX-709	Hot 1/4 Turn Ceramic Cartridge Valve
4	DX-100	Coupling Flanges (includes 2/ea)
5	DX-445L	Diamond Series Mounting Kit
6	DX-208	8" Center Wall Mount Pre-Rinse Base
7	DX-137	Wall Bracket
8	DX-160	18" Riser Pipe
8	DX-160-24	24" Riser Pipe
9	DX-161	Spring Retainer
10	DX-162	Spring
11	DX-133	44" Pre-Rinse Hose
12	DX-165	Hook/Screw Assembly
13	DX-171	Spray Head Handle
14	DX-322	Button Valve
15	DX-166	Spray Head Repair Kit - Shower Pattern
15	DX-179	Spray Head Repair Kit - Knife Pattern
16	DX-129	1.15 GPM Spray Head

Warranty



Please visit krowne.com/warranty for full terms and conditions regarding the warranty on your new Diamond Series product.

Product Description	Warranty Period
Diamond Series Plumbing	Lifetime Warranty

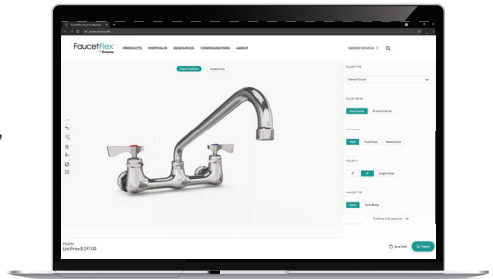
This Standard Warranty and Limitation of Liability (the "Warranty") sets forth the warranty provided by Krowne Metal Corporation (hereinafter "Krowne") with respect to the product purchased by Purchaser (the "Equipment"). By accepting delivery of the Equipment, Purchaser agrees to be bound by and accept these terms and conditions. All defined terms within the Warranty shall have the same meaning and definition as provided elsewhere in the Warranty. Equipment covered by the Warranty shall only be warranted in connection with its original installation only. Krowne will only be obligated to honor the warranty set forth in these terms and conditions upon receipt of full payment for the equipment.

FaucetFlex®
BY KROWNE



- Effortlessly configure a faucet, pre-rinse and much more
- Instant spec sheet generation
- Instant price generation

krowne.com/faucetflex



KROWNE®

100 Haul Rd. • Wayne, NJ 07470
krowne.com