

Add-On Faucet for Pre-Rinse Units

DIAMOND SERIES



DX-138



DX-140



DX-1XX

Standard Features

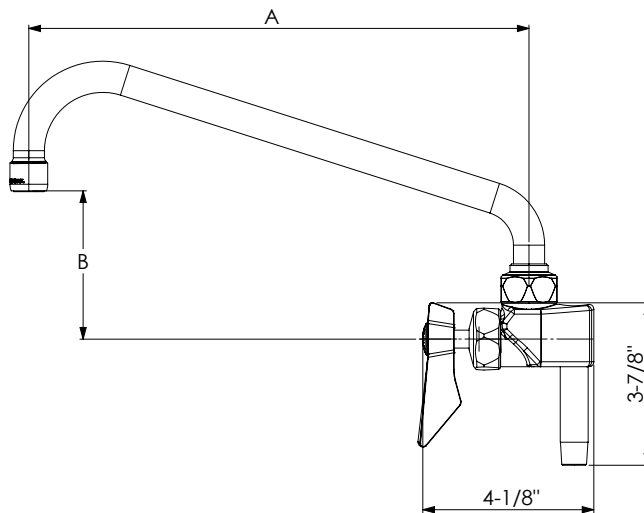
- 3/8" NPT male inlet and 3/8" NPT female outlet
- Turns on and off without obstruction
- 1/4 turn high performance ceramic cartridge valve with integral check
- Solid chrome plated brass base with ultra-polish satin finish
- Lifetime warranty

Product Compliance

- NSF-61 & NSF/ANSI 372
- NSF/ANSI/CAN 61: Q < 1
- ASME A112.18.1-2012/CSA B125.1-12



Model	Spout Style	Spout Length (A)	Flow Rate	Height (B)	Weight
DX-138	Swing	6"	1.8 GPM	1-5/8"	1.75 lbs.
DX-139	Swing	12"	18. GPM	3-1/2"	2.25 lbs.
DX-140	Swing	14"	1.8 GPM	4-1/4"	2.25 lbs.
DX-141	Swing	16"	1.8 GPM	4-7/8"	2.5 lbs.
DX-149	Swing	8"	1.8 GPM	2-1/4"	2 lbs.
DX-1XX	Base Only	-	-	-	1.5 lbs.



Warning:

Plumbing connections should be made by qualified personnel who will observe all applicable plumbing, sanitary and safety codes

California Prop 65 Warning:

This product can expose you to chemicals including lead and lead compounds, which are known to the State of California to cause cancer and birth defects or other reproductive harm. For more information go to www.P65Warnings.ca.gov.