



Model: **DX-108** Item #: _____ Date: _____
 Project: _____ Qty: _____ Approved By: _____

8" Center Wall Mount Pre-Rinse

DIAMOND
series



DESCRIPTION

8" Center Wall Mount Pre Rinse, Ultra-Polish Satin Finish, 1.15 GPM Dual Spray Head Valve

STANDARD FEATURES

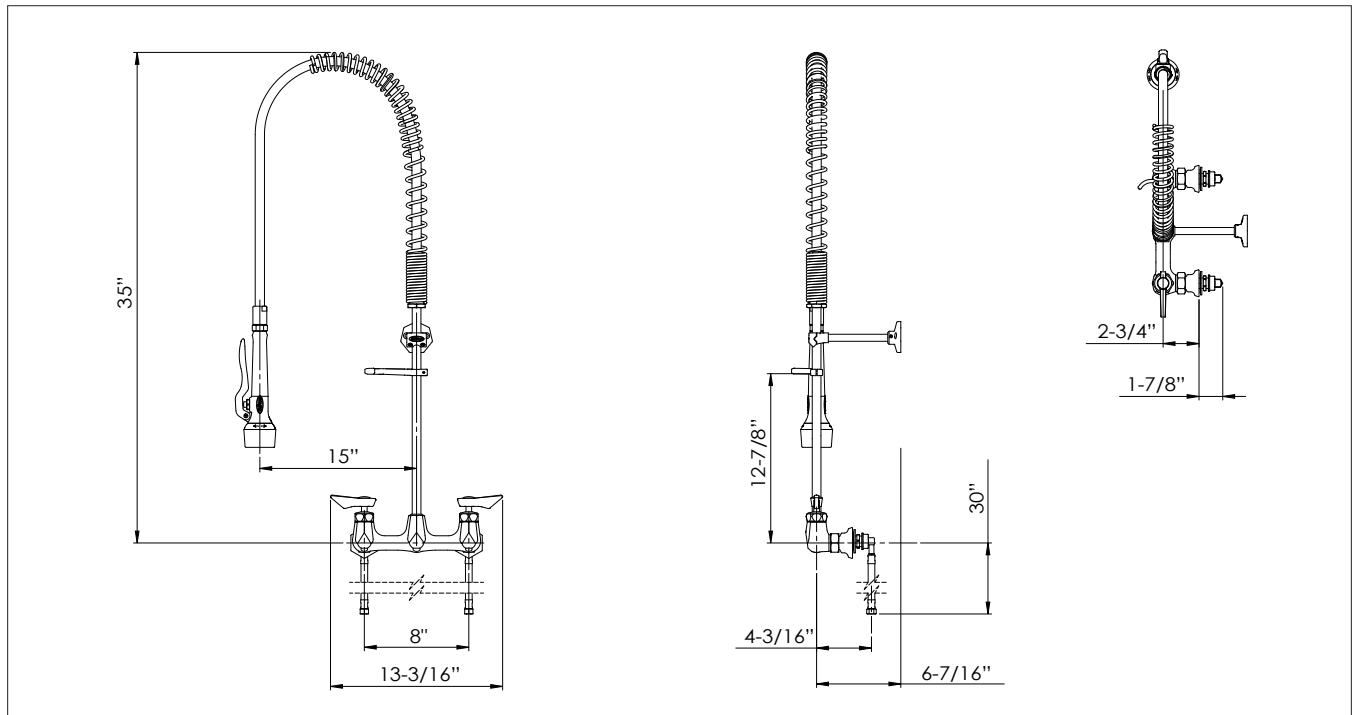
- 1/4 turn stainless steel high performance ceramic cartridge valves with built-in check valves
- Heavy Duty Flanges with eccentric fittings and innovative flange seal
- Dual Spray Technology, 1.15 GPM Knife & Cyclone Options
- Lever Handles
- Adjustable Wall Bracket & mounting kit included
- E-Z install flexible water line kit included
- Lifetime Warranty

SPECIFICATIONS

| | |
|----------------------|----------------------------|
| Water Inlet | 1/2" NPT Female |
| Temp. Range | 40°F - 180°F |
| Pressure | 20-120 PSI |
| Spray Head Flow Rate | 1.15 GPM |
| Body Material | Solid Brass |
| Finish | Ultra-Polish Satin |
| Weight | 16 lbs. |
| Dimensions | 35" high with 15" Overhang |

PRODUCT COMPLIANCE

- ASME A112.18.1/CSA B125.1
- NSF-61
- NSF/ANSI 372
- Meets ANSI A117.1 (ADA)



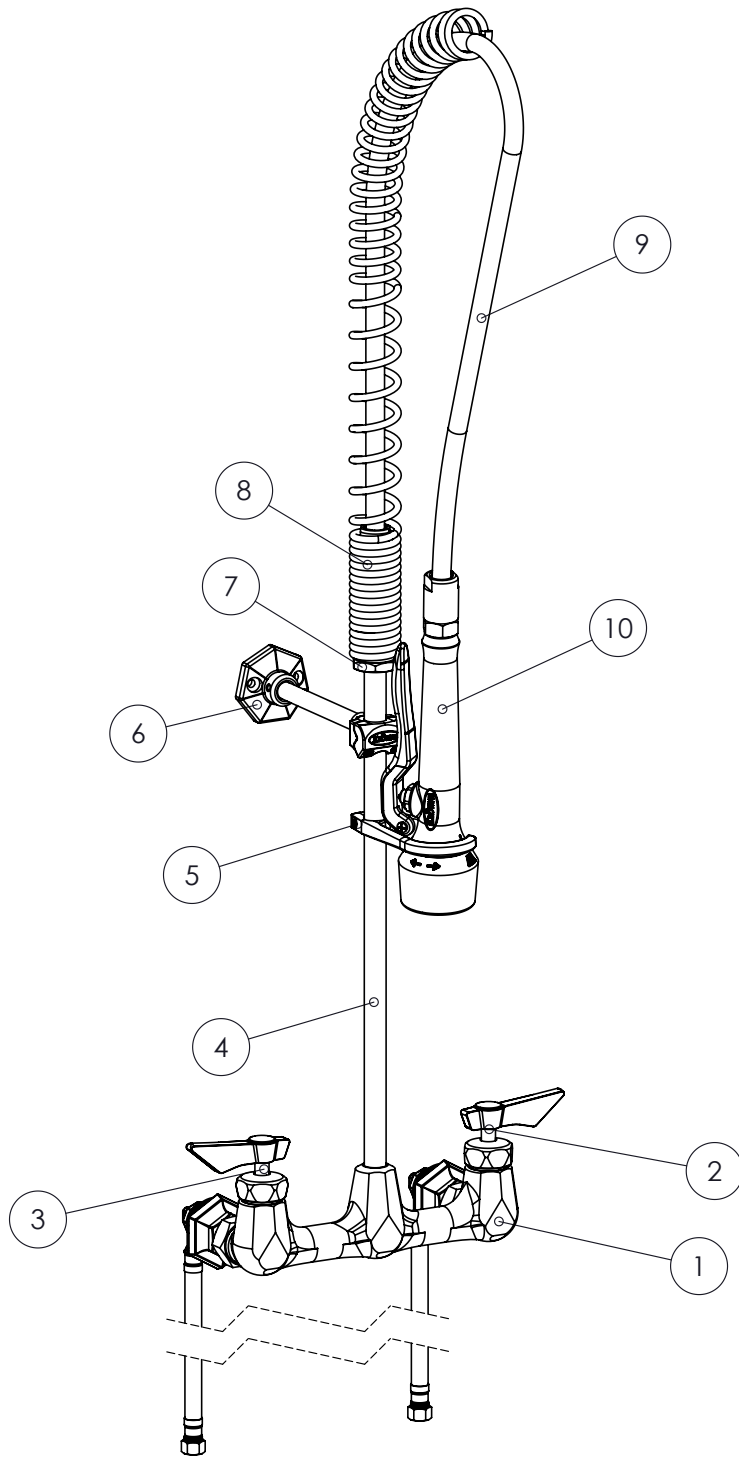
WARNING: Plumbing connections should be made by qualified personnel who will observe all applicable plumbing, sanitary and safety codes.
 California Proposition 65 Warning



Model: **DX-108** Item #: _____ Date: _____
 Project: _____ Qty: _____ Approved By: _____

8" Center Wall Mount Pre-Rinse

DIAMOND
series



REPLACEMENT PARTS

| Model | Description |
|-------------|---------------------------------------|
| 1 DX-208 | 8" Center Wall Mount Pre-Rinse Base |
| 1 DX-100 | Coupling Flanges |
| 2 DX-708 | Cold 1/4 Turn Ceramic Cartridge Valve |
| 3 DX-709 | Hot 1/4 Turn Ceramic Cartridge Valve |
| 4 DX-160 | 18" Riser Pipe |
| 4 DX-160-24 | 24" Riser Pipe (Optional) |
| 5 DX-165 | Hook/Screw Assembly |
| 6 DX-137 | Wall Bracket |
| 7 DX-161 | Spring Retainer |
| 8 DX-162 | 24" Spring |
| 9 DX-133 | 44" Pre-Rinse Hose |
| 10 DX-129 | Spray Head (1.15 GPM) |

SPRAY HEAD REPAIR PARTS

| Model | Description |
|--------|---|
| DX-166 | Repair Kit for Spray Head (1.15 Shower Pattern) |
| DX-171 | Spray Head Handle |
| DX-179 | Repair Kit for Spray Head (1.15 Knife Pattern) |
| DX-322 | Button Valve |