

## 8" Center Wall Mount Pre-Rinse with Add-On Faucet

## DIAMOND SERIES



### Standard Features

- 1/4 turn stainless steel high performance ceramic cartridge valves with built-in check valves
- Heavy Duty Flanges with eccentric fittings and innovative flange seal
- Dual Spray Technology, 1.15 GPM Knife & Cyclone Options
- Lever Handles
- Adjustable Wall Bracket & mounting kit included
- E-Z install flexible water line kit included
- Lifetime Warranty

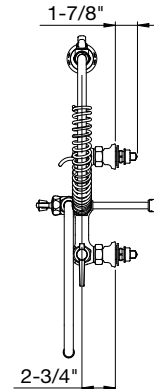
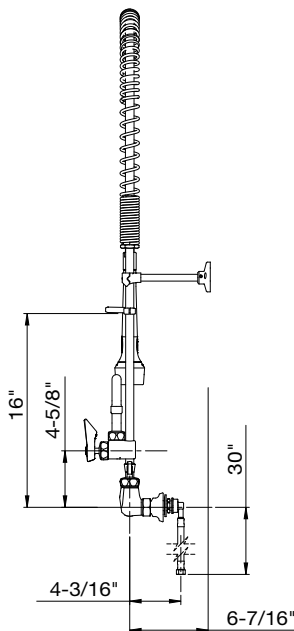
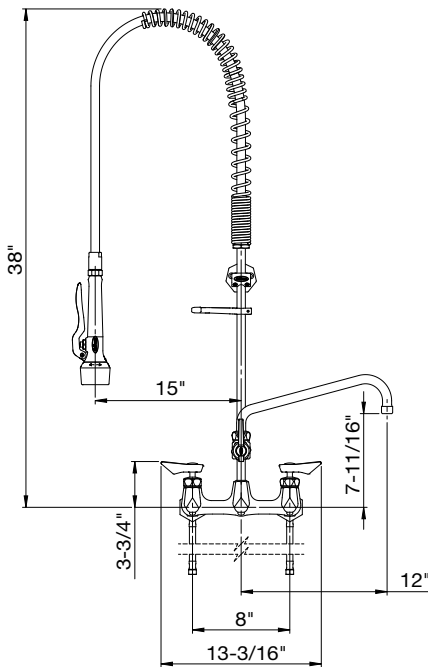
### Specifications

<b>Water Inlet</b>	1/2" NPS Male; Kit Installed
<b>Temp. Range</b>	40°F - 180°F
<b>Pressure</b>	20-120 PSI
<b>Spray Head Flow Rate</b>	1.15 GPM
<b>Faucet Flow Rate</b>	1.8 GPM
<b>Body Material</b>	Solid Brass with Ultra-Polish Satin Finish
<b>Dimensions</b>	38" High 15" Overhang
<b>Weight</b>	18 lbs.

Model	Description
DX-109	8" Center Wall Mount Pre-Rinse with Add-On Faucet w/ 12" Spout

### Product Compliance

- NSF-61 & NSF/ANSI 372
- NSF/ANSI/CAN 61: Q < 1
- ASME A112.18.1-2012/CSA B125.1-12 & NSF/ANSI 372
- Meets ANSI A117.1 (ADA)
- Massachusetts Listed



#### Warning:

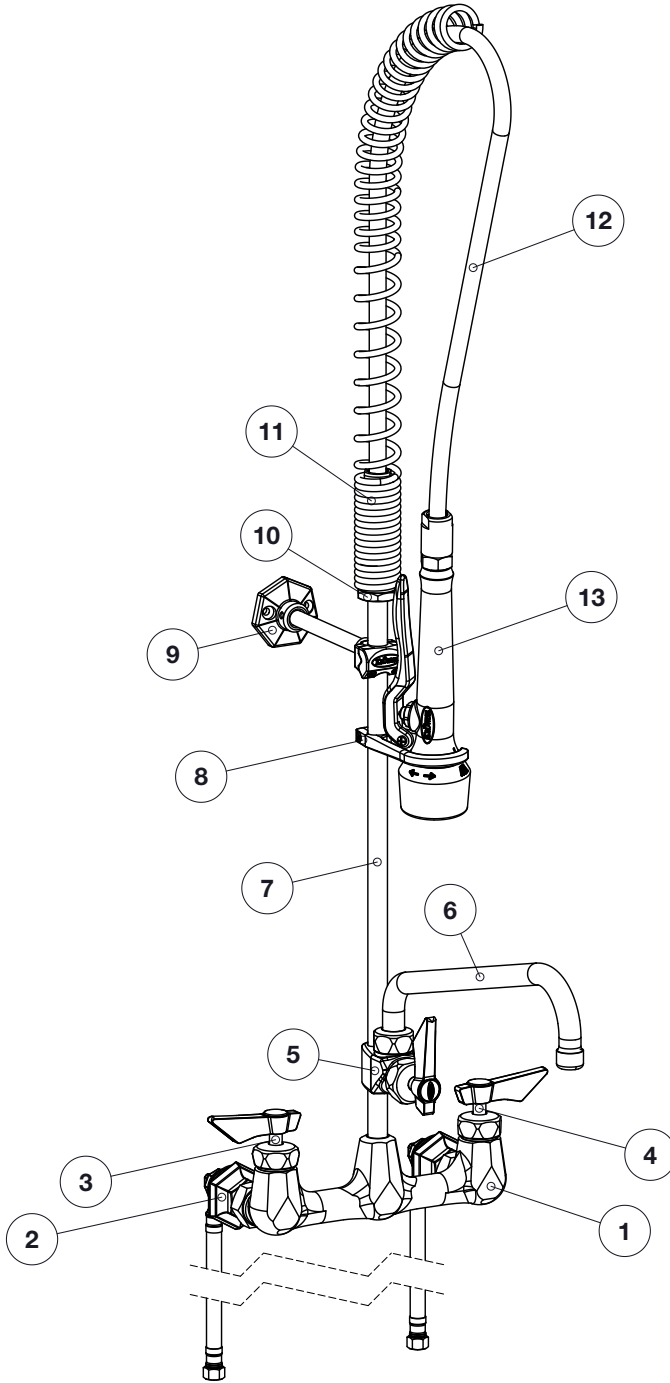
Plumbing connections should be made by qualified personnel who will observe all applicable plumbing, sanitary and safety codes

#### California Prop 65 Warning:

This product can expose you to chemicals including lead and lead compounds, which are known to the State of California to cause cancer and birth defects or other reproductive harm. For more information go to [www.P65Warnings.ca.gov](http://www.P65Warnings.ca.gov).

## 8" Center Wall Mount Pre-Rinse with Add-On Faucet

## DIAMOND SERIES



### Replacement Parts

No.	Model	Desc.
1	DX-208	8" Center Wall Mount Pre-Rinse Base
2	DX-100	(2) Coupling Flanges
3	DX-708	Cold 1/4 Turn Ceramic Cartridge Valve
4	DX-709	Hot 1/4 Turn Ceramic Cartridge Valve
5	DX-1XX	Add-On Faucet Base
6	DX-423	12" Swing Spout
7	DX-160-24	24" Riser Pipe
8	DX-165	Hook/Screw Assembly
9	DX-137	Wall Bracket
10	DX-161	Spring Retainer
11	DX-162	24" Spring
12	DX-133	44" Pre-Rinse Hose
13	DX-129	Spray Head (1.15 GPM)

### Spray Head Repair Parts

Model	Desc.
DX-166	Repair Kit for Spray Head (Shower Pattern)
DX-171	Spray Head Handle
DX-179	Repair Kit for Spray Head (Knife Pattern)
DX-322	Button Valve