



Model: **DX-109** Item #: _____ Date: _____
 Project: _____ Qty: _____ Approved By: _____

8" Center Wall Mount Pre-Rinse Includes Add-On Faucet w/ 12" Swing Spout

DIAMOND
series



DESCRIPTION

8" Center Wall Mount Pre Rinse includes Add-On Faucet with 12" Swing Spout, Ultra-Polish Satin Finish, 1.15 GPM Dual Spray Head Valve and 1.8 GPM Female Aerator Installed on Spout

STANDARD FEATURES

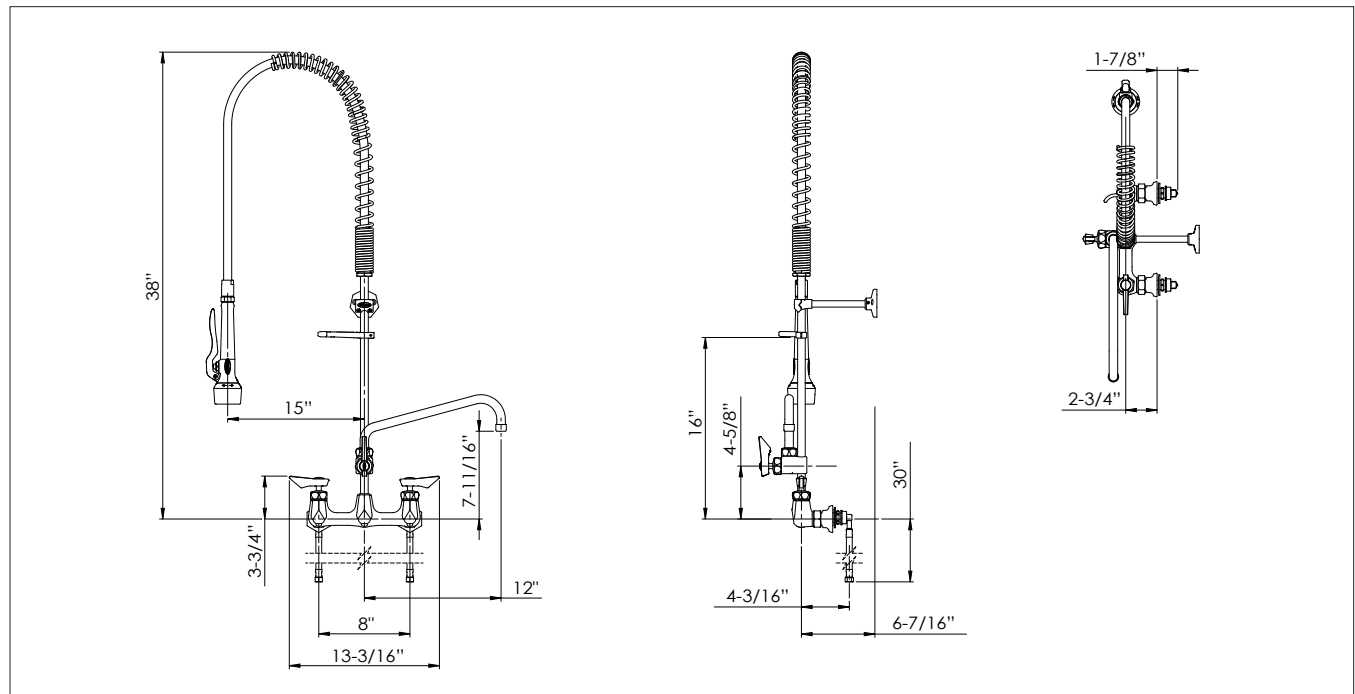
- 1/4 turn stainless steel high performance ceramic cartridge valves with built-in check valves
- Heavy Duty Flanges with eccentric fittings and innovative flange seal
- Dual Spray Technology, 1.15 GPM Knife & Cyclone Options
- Lever Handles
- Adjustable Wall Bracket & mounting kit included
- E-Z install flexible water line kit included
- Lifetime Warranty

SPECIFICATIONS

Water Inlet	1/2" NPT Female
Temp. Range	40°F - 180°F
Pressure	20-120 PSI
Spray Head Flow Rate	1.15 GPM
Faucet Flow Rate	1.8 GPM
Body Material	Solid Brass
Finish	Ultra-Polish Satin
Weight	18 lbs.
Dimensions	38" High 15" Overhang

PRODUCT COMPLIANCE

- ASME A112.18.1/CSA B125.1
- NSF-61
- NSF/ANSI 372
- Meets ANSI A117.1 (ADA)



WARNING: Plumbing connections should be made by qualified personnel who will observe all applicable plumbing, sanitary and safety codes.
 California Proposition 65 Warning

Krowne Metal Corporation • 100 Haul Rd. Wayne, NJ 07470 • P: (800) 631-0442 • customerservice@krowne.com • krowne.com

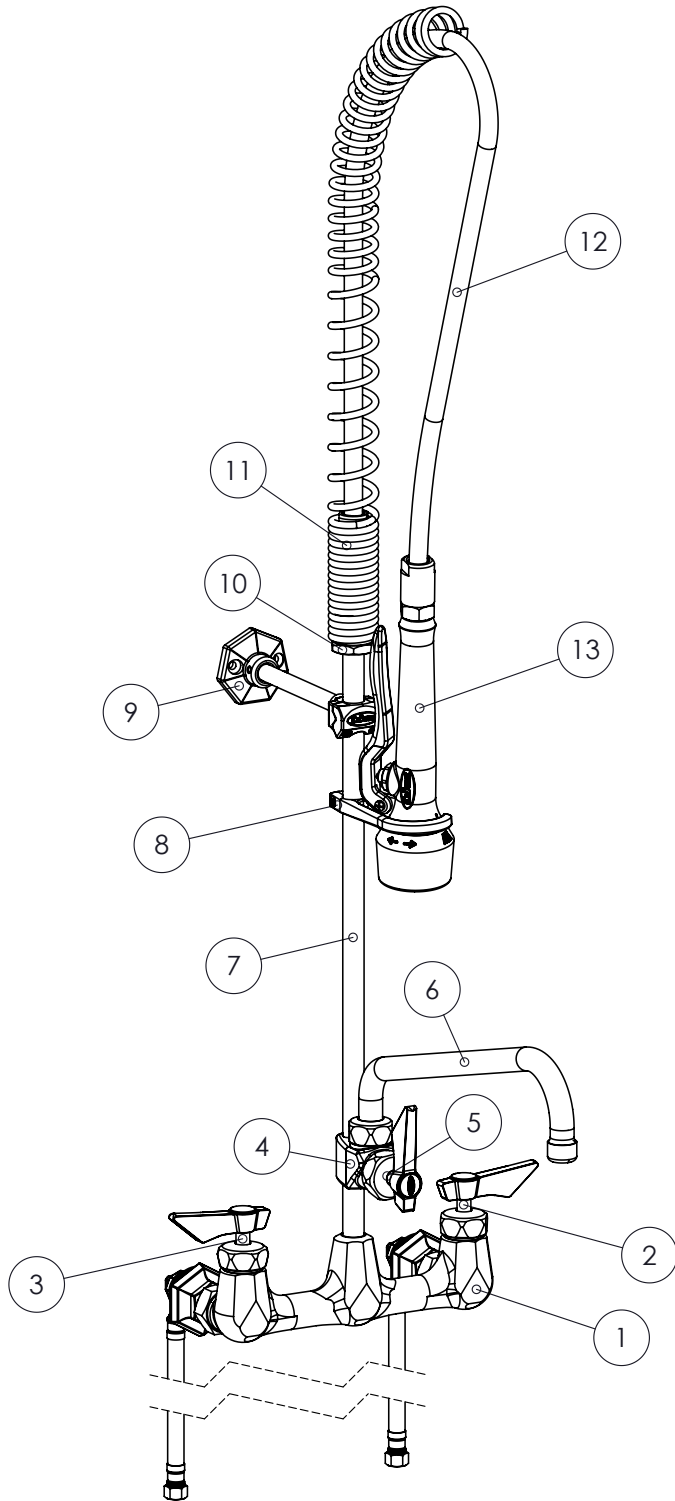
Due to our commitment to continued product improvement, specifications are subject to change without notice.

Rev. 03/2021 • No. DX-109



Model: **DX-109** Item #: _____ Date: _____
 Project: _____ Qty: _____ Approved By: _____

8" Center Wall Mount Pre-Rinse Includes Add-On Faucet w/ 12" Swing Spout



REPLACEMENT PARTS

Model	Description
1 DX-208	8" Center Wall Mount Pre-Rinse Base
1 DX-100	Coupling Flanges
2 DX-708	Cold 1/4 Turn Ceramic Cartridge Valve
3 DX-709	Hot 1/4 Turn Ceramic Cartridge Valve
4 DX-1XX	Add-On Faucet Base
5 DX-708	Cold 1/4 Turn Ceramic Cartridge Valve
6 DX-423	12" Swing Spout
7 DX-160	18" Riser Pipe
7 DX-160-24	24" Riser Pipe (Optional)
8 DX-165	Hook/Screw Assembly
9 DX-137	Wall Bracket
10 DX-161	Spring Retainer
11 DX-162	24" Spring
12 DX-133	44" Pre-Rinse Hose
13 DX-129	Spray Head (1.15 GPM)

SPRAY HEAD REPAIR PARTS

Model	Description
DX-166	Repair Kit for Spray Head (1.15 Shower Pattern)
DX-171	Spray Head Handle
DX-179	Repair Kit for Spray Head (1.15 Knife Pattern)
DX-322	Button Valve