

# Spouts

# DIAMOND SERIES



DX-420



DX-430



DX-426

## Standard Features

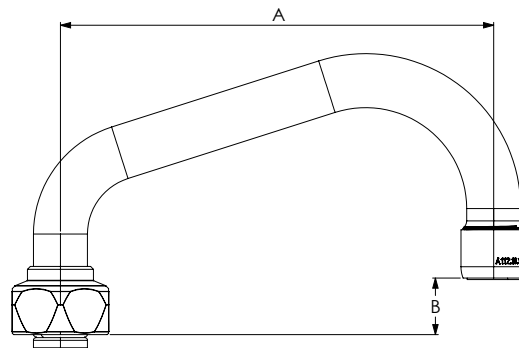
- Durable full range spout with double o-ring construction
- Solid chrome plated brass base with ultra-polish satin finish
- Built for high volume
- Fits all Krowne Diamond Series faucets
- Lifetime warranty

## Product Compliance

- NSF-61 & NSF/ANSI 372
- NSF/ANSI/CAN 61: Q<1
- ASME A112.18.1-2012/CSA B125.1-12
- Massachusetts Listed



Model	Spout Style	Spout Length (A)	Flow Rate	Height (B)	Weight
DX-420	Swing	6"	1.8 GPM	3/4"	1 lb.
DX-421	Swing	8"	1.8 GPM	1-3/8"	1 lb..
DX-422	Swing	10"	1.8 GPM	2"	1 lb.
DX-423	Swing	12"	1.8 GPM	2-3/4"	1 lb.
DX-424	Swing	14"	1.8 GPM	3-3/8"	1 lb.
DX-425	Swing	16"	1.8 GPM	4"	1 lb.
DX-426	Jointed	18"	1.8 GPM	3-1/8"	1 lb.
DX-430	Wide Double Bend	4-1/2"	1.8 GPM	3-1/4"	1 lb.
DX-431	Wide Double Bend	6"	1.8 GPM	5-3/4"	1.25 lbs.
DX-432	Wide Double Bend	8-1/2"	1.8 GPM	5-3/4"	1.25 lbs.



### Warning:

Plumbing connections should be made by qualified personnel who will observe all applicable plumbing, sanitary and safety codes

### California Prop 65 Warning:

This product can expose you to chemicals including lead and lead compounds, which are known to the State of California to cause cancer and birth defects or other reproductive harm. For more information go to [www.cdph.ca.gov](http://www.cdph.ca.gov)