

## 4" Center Wall Mount Faucets

## DIAMOND SERIES



### Standard Features

- 1/4 turn stainless steel high performance ceramic cartridge valves with built-in check valves
- Heavy duty flanges with eccentric fittings and flange seal technology
- Durable full range spout with double o-ring construction
- Lever handles
- Mounting kit and flexible water lines included
- Lifetime Warranty

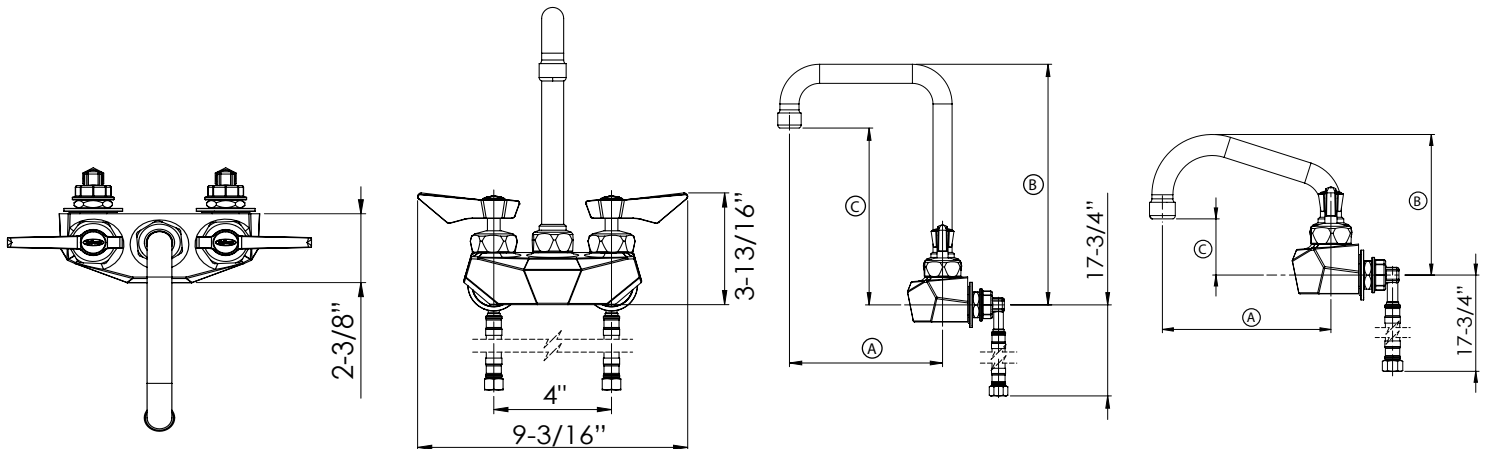
### Specifications

Water Inlet	1/2" NPS Male
Temp. Range	40°F - 180°F
Rough In	7/8" Round Holes on 4" Center
Flow Rate	1.8 GPM
Material	Solid Brass
Finish	Ultra-Polish Satin

Model	Spout Length (A)	Max Height (B)	Spout Height (C)	Spout	Weight
DX-400	4-1/2"	6-15/16"	4-7/16"	Wide Double Bend Gooseneck	6 lbs.
DX-401	6"	9-7/16"	6-15/16"	Wide Double Bend Gooseneck	6.25 lbs.
DX-402	8-1/2"	11-15/16"	6-11/16"	Wide Double Bend Gooseneck	6 lbs.
DX-406	6"	5"	2"	Swing	5 lbs.
DX-408	8"	5-5/8"	2-5/8"	Swing	5.25 lbs.
DX-410	10"	6-1/4"	3-1/4"	Swing	5.5 lbs.
DX-418	18"	8-1/8"	5-1/8"	Double Jointed	6 lbs.
DX-4XX	-	-	-	Body Only	4.85 lbs.

### Product Compliance

- NSF-61 & NSF/ANSI 372
- NSF/ANSI/CAN 61: Q < 1
- ASME A112.18.1-2011/CSA B125.1-11
- Meets ANSI A117.1 (ADA)
- Massachusetts Listed



#### Warning:

Plumbing connections should be made by qualified personnel who will observe all applicable plumbing, sanitary and safety codes

#### California Prop 65 Warning:

This product can expose you to chemicals including lead and lead compounds, which are known to the State of California to cause cancer and birth defects or other reproductive harm. For more information go to [www.P65Warnings.ca.gov](http://www.P65Warnings.ca.gov).