



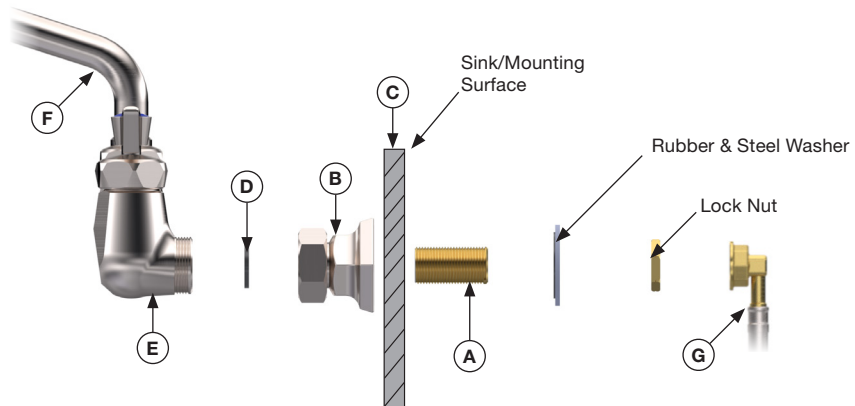
8" Center Wall Mount Faucet Installation Manual

DX-8 Faucets



DIAMOND™
series

WARNING: Plumbing connections should be made by qualified personnel who will observe all applicable plumbing, sanitary and safety codes.

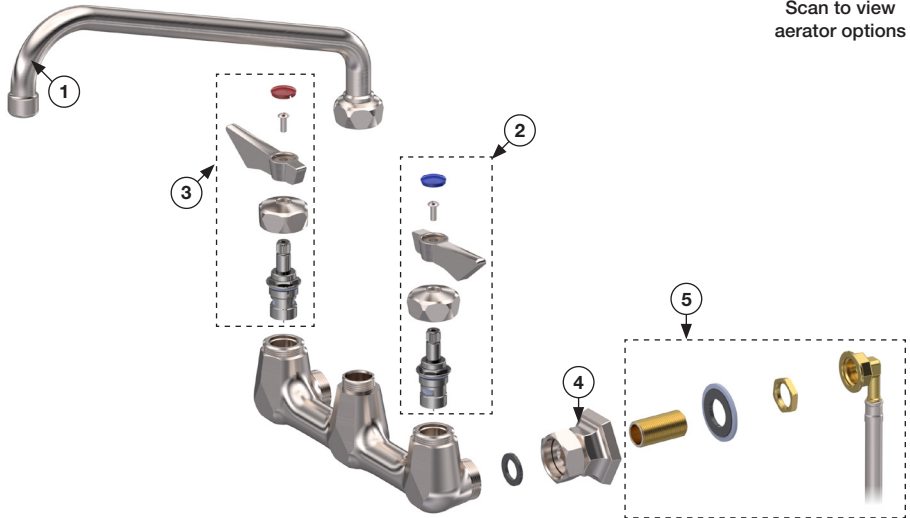


Installation Instructions

1. Turn off water supply at main source before proceeding with installation.
2. Remove the two 1/2" threaded nipples (A) from the wall mount kit inside the box. For your convenience, thread sealant tape has been applied to one side of each of the nipples.
3. Install the sealant-applied side of the threaded nipples into the two 1/2" female threaded coupling flanges (B) and tighten properly. Note that the coupling flanges have eccentric centers, meaning if the holes in the mounting surface are not exactly 8" on center, you can slightly adjust the center distance.
4. From the front of the sink, insert the threaded nipples into the faucet holes on the wall (C). Make sure the coupling flanges are turned so the brass nipples are at the 12 o'clock position. This is necessary to make sure the faucet is level.
5. Apply thread sealant tape or pipe joint compound to the other side of each of the two threaded nipples (A).
6. From the back of the sink, place the combination rubber & steel washer and lock nut from the included mounting kit onto the threaded nipples and tighten with a wrench.
7. From the front of the sink, insert the rubber washers (D) into the coupling flanges (B).
8. Install the faucet body (E) onto the coupling flanges and tighten properly with a wrench. If the faucet does not fit on the coupling flanges, they will need to be rotated to fit the faucet as per step 4 above.
9. From the front of the sink, install the spout (F) and tighten properly.
10. From the back of the sink, install the included EZ Install Flexible Water Supply Lines (G) and tighten properly.



Scan to view
aerator options



Parts Guide

No.	Model	Description
1	DX-420	6" Swing Spout
1	DX-421	8" Swing Spout
1	DX-422	10" Swing Spout
1	DX-423	12" Swing Spout
1	DX-424	14" Swing Spout
1	DX-425	16" Swing Spout
1	DX-426	18" Jointed Spout
1	DX-430	4-1/2" Double Bend Gooseneck
1	DX-431	6" Double Bend Gooseneck
1	DX-432	8-1/2" Double Bend Gooseneck
2	DX-708	Cold 1/4 Turn High Performance Ceramic Cartridge Valve
3	DX-709	Hot 1/4 Turn High Performance Ceramic Cartridge Valve
4	DX-100	Coupling Flanges (includes 2/ea)
5	21-445L	Complete Mounting Kit

Warranty



Please visit krowne.com/warranty for full terms and conditions regarding the warranty on your new Diamond Series product.

Product Description	Warranty Period
Diamond Series Plumbing	Lifetime

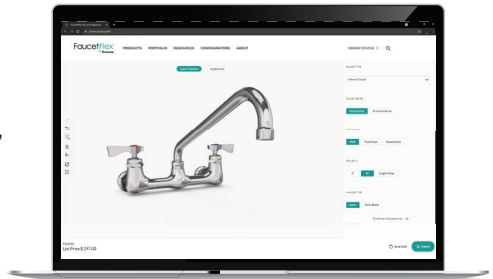
This Standard Warranty and Limitation of Liability (the "Warranty") sets forth the warranty provided by Krowne Metal Corporation (hereinafter "Krowne") with respect to the product purchased by Purchaser (the "Equipment"). By accepting delivery of the Equipment, Purchaser agrees to be bound by and accept these terms and conditions. All defined terms within the Warranty shall have the same meaning and definition as provided elsewhere in the Warranty. Equipment covered by the Warranty shall only be warranted in connection with its original installation only. Krowne will only be obligated to honor the warranty set forth in these terms and conditions upon receipt of full payment for the equipment.

FaucetFlex®
BY KROWNE



- Effortlessly configure a faucet, pre-rinse and much more
- Instant spec sheet generation
- Instant price generation

krowne.com/faucetflex



KROWNE®

100 Haul Rd. • Wayne, NJ 07470
krowne.com