

## 8" Center Deck Mount Faucets

## DIAMOND SERIES



Model	Spout Length (A)	Max Height (B)	Spout Height (C)	Spout	Weight
DX-901	6"	12-5/16"	9-11/16"	Double Bend	7.75 lbs.
DX-902	8-1/2"	14-13/16"	9-5/8"	Double Bend	7.75 lbs.
DX-906	6"	7-7/8"	4-3/4"	Swing	6.75 lbs.
DX-908	8"	6-3/8"	5-3/8"	Swing	7 lbs.
DX-910	10"	9-1/8"	6"	Swing	7.25 lbs.
DX-912	12"	7-5/8"	6-11/16"	Swing	7.25 lbs.
DX-914	14"	10-7/16"	7-5/16"	Swing	7.5 lbs.
DX-916	16"	11-1/16"	7-15/16"	Swing	7.5 lbs.
DX-918	18"	11"	7-7/8"	Jointed	7.5 lbs.
DX-9XX	-	-	-	Body Only	6.5 lbs.

### Standard Features

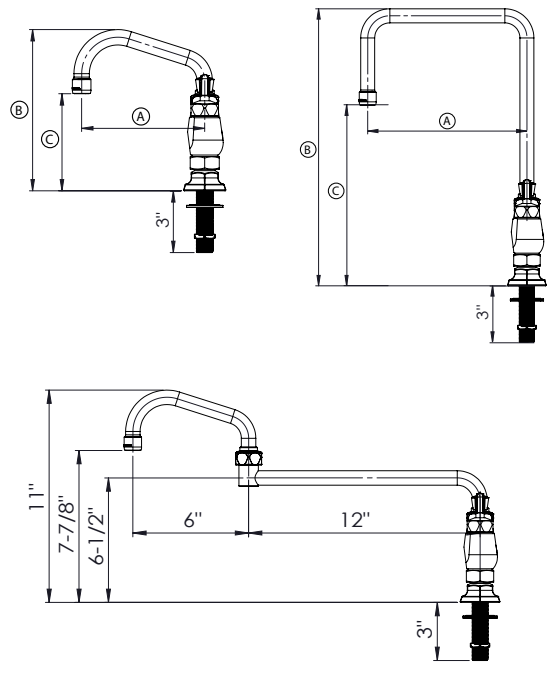
- 1/4 turn stainless steel high performance ceramic cartridge valves with built-in check valves
- Heavy duty flanges with eccentric fittings and flange seal technology
- Durable full range spout with double o-ring construction
- Lever handles
- Mounting kit and flexible water lines included
- Lifetime Warranty

### Specifications

Water Inlet	1/2" NPS Male; Kit Installed
Temp. Range	40°F - 180°F
Rough In	7/8" Round Holes on 8" Center
Flow Rate	1.8 GPM
Material	Solid Brass
Finish	Ultra-Polish Satin

### Product Compliance

- NSF/ANSI 372
- NSF/ANSI/CAN 61: Q < 1
- ASME A112.18.1-2018/CSA B125.1-18
- Meets ANSI A117.1 (ADA)



#### Warning:

Plumbing connections should be made by qualified personnel who will observe all applicable plumbing, sanitary and safety codes

#### California Prop 65 Warning:

This product can expose you to chemicals including lead and lead compounds, which are known to the State of California to cause cancer and birth defects or other reproductive harm. For more information go to [www.P65Warnings.ca.gov](http://www.P65Warnings.ca.gov).