

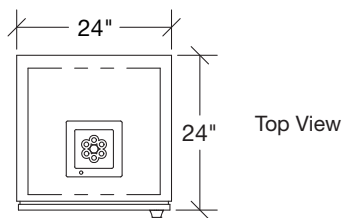
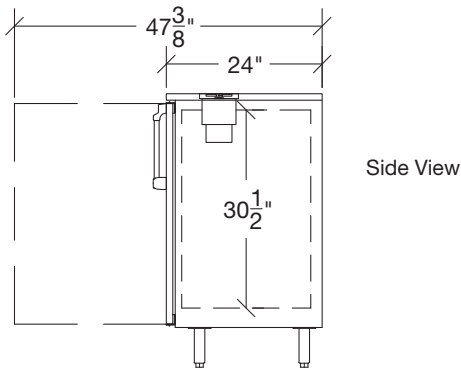
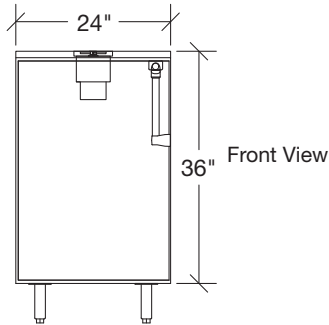
24" Liquid CO2 Glass Chiller Cabinet

ROYAL SERIES



GC24S-L

Model	Description
GC24B-L	24" Liquid CO2 Glass Chiller Cabinet, Black Vinyl Door with Left Hinge
GC24B-R	24" Liquid CO2 Glass Chiller Cabinet, Black Vinyl Door with Right Hinge
GC24S-L	24" Liquid CO2 Glass Chiller Cabinet, Stainless Steel Door with Left Hinge
GC24S-R	24" Liquid CO2 Glass Chiller Cabinet, Stainless Steel Door with Right Hinge



Standard Features

- High performance glass chiller unit built into top
- Built-in LED light that activates when chiller is used
- 24" cabinet with locking door and reinforced floor for CO2 tank storage
- Built-in kickplate and removable corrugated stainless steel floor rack increases strength and prevents damage
- Includes worktop mounting kit
- High quality, stainless steel construction
- CO2 tank not included (20 lb. aluminum tank with siphon tube recommended)
- Weight 125 lbs.

Cabinet Body Specifications

Top	18 gauge stainless steel
Sides	20 gauge stainless steel
Doors	Black Vinyl or 20 gauge Stainless Steel (foamed-in-place)
Back and Bottom	20 gauge galvanized back 18 gauge galvanized bottom
Interior	Reinforced steel floor with removable corrugated stainless steel floor rack
Exterior	20 gauge stainless steel
Insulation	2" thick foamed-in-place polyurethane

Glass Chiller Specifications

Opening Size	7-11/16" x 7-11/16"
Gas Refrigerant	CO2 (food grade) carbon dioxide
Cylinder Type	CO2 cylinder with siphon tube (not included)
CO2 Line Length	10 ft. including connection valve
Power Supply	100/240V AC plug included 14V 4A output Rechargeable 12V battery (not included)
Power Input	100 - 240V AC
Frequency	50 - 60 Hz
Max Power Capacity	50W

⚠Warning: This product can expose you to chemicals including lead and lead compounds which are known to the State of California to cause cancer, birth defects or other reproductive harm. For more information go to www.P65Warnings.ca.gov.