



Model: _____ Item #: _____ Date: _____

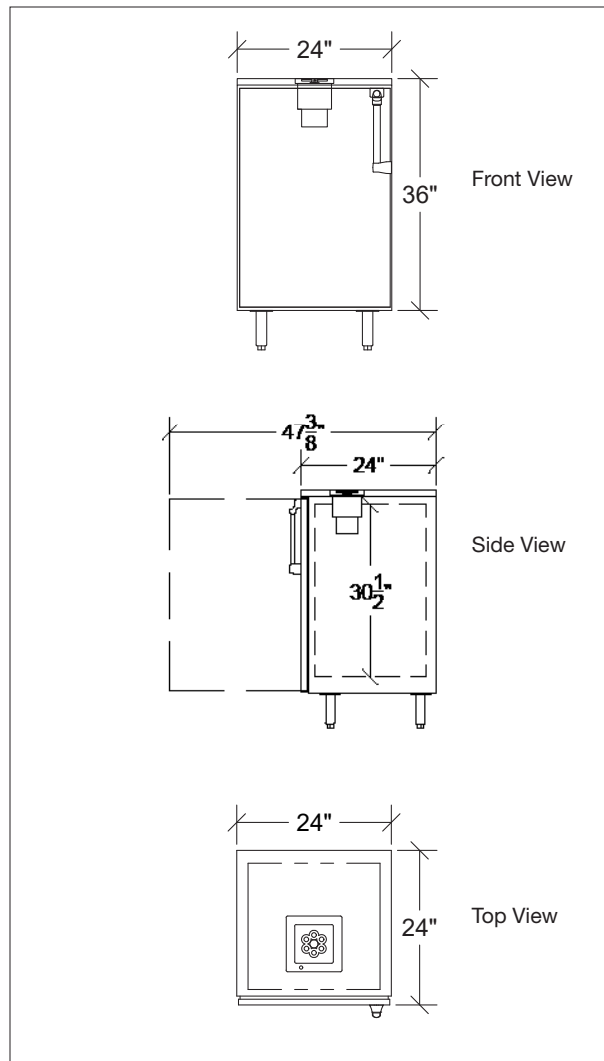
Project: _____ Qty: _____ Approved By: _____

24" Liquid CO2 Glass Froster Cabinet

Royal Series Underbar



GC24S-L



Standard Features

- High performance glass froster unit built into top
- Built-in LED light that activates when froster is used
- 24" cabinet with locking door and reinforced floor for CO2 tank storage
- Built-in kickplate and removable corrugated stainless steel floor rack increases strength and prevents damage
- Includes worktop mounting kit
- Includes 100/240 V AC plug
- High quality, stainless steel construction
- CO2 tank not included (20 lb. aluminum tank with siphon tube recommended)
- Weight 125 lbs.

Cabinet Body Specifications

Top	▪ 18 gauge stainless steel
Sides	▪ 20 gauge stainless steel
Doors	▪ Black Vinyl or 20 gauge Stainless Steel (foamed-in-place)
Back and Bottom	▪ 20 gauge galvanized back ▪ 18 gauge galvanized bottom
Interior	▪ Reinforced steel floor with removable corrugated stainless steel floor rack
Exterior	▪ 20 gauge stainless steel
Insulation	▪ 2" thick foamed-in-place polyurethane

Glass Froster Specifications

Opening Size	▪ 7-11/16" x 7-11/16"
Gas Refrigerant	▪ CO2 (food grade) carbon dioxide
Cylinder Type	▪ CO2 cylinder with siphon tube (not included)
CO2 Line Length	▪ 10 ft. including connection valve
Power Supply	▪ 100/240V AC plug included ▪ 14V 4A output ▪ Rechargeable 12V battery (not included)
Power Input	▪ 100 - 240V AC
Frequency	▪ 50 - 60 Hz
Max Power Capacity	▪ 50W

Model	Description
GC24B-L	Black Vinyl Door, Left Hinge
GC24B-R	Black Vinyl Door, Right Hinge
GC24S-L	Stainless Steel Door, Left Hinge
GC24S-R	Stainless Steel Door, Right Hinge

⚠ Warning: This product can expose you to chemicals including lead and lead compounds which are known to the State of California to cause cancer and birth defects or other reproductive harm. For more information go to www.P65Warnings.ca.gov.

