

Rotary Glasswasher

ROYAL SERIES



GWR-24

Standard Features

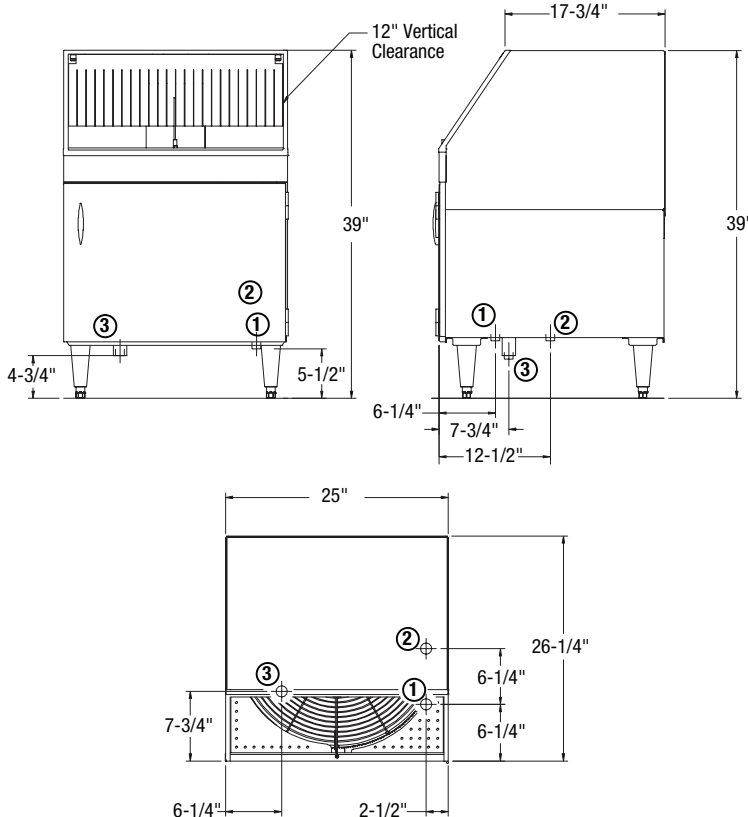
- Low temperature glass washer
- 12" glass clearance accepts taller stemware
- Internal upper drain screen for improved filtration and ease of cleaning
- Self flushing wash chamber reduces maintenance, and reduces water usage
- Three-pump injection system for precise chemical dispensing
- Upper and lower wash and rinse arms produce sparkling clean glasses
- Double walled construction for quieter operation
- Cool final rinse water provides a cool glass ready for immediate use
- Cabinet below holds the 3 chemicals required each in 1 gallon containers
- Polypropylene conveyor virtually eliminates chipping of fine stemware
- 3 minute cycle time, 1200 glasses per hour (2-1/2" glasses)
- Free 1 Year Warranty if Glass Washing Dump Sink is purchased and placed next to Glasswasher in bar line-up

Model	Description
GWR-24	24" Rotary Glasswasher

Specifications

Electrical	208-230VAC/60Hz/1PH Min/Max 15 Amps 6 ft./1.5m flexible cord and plug supplied NEMA 6-15P electric outlet
Hot Water Connection	1/2" IPS. Flow pressure 25 - 95 PSI
Cold Water Connection	1/2" IPS. Flow pressure 25 - 95 PSI
Drain Connection	1-1/2" tailpiece. Connect to drain size according to local plumbing code.
Capacity	1200, 2-1/2" Glasses (per hr)
Water Consumption	Cold Water (approx): 2.5 GPM Hot Water (initial fill): 3 Gal Max Use (approx): 12 Gal
Temperatures	Inlet Water (hot): 140 -160°F Inlet Water (cold): 75°F
Heating	Tank Heat, electric: 3 kW
Conveyor Movement	Clockwise
Weight	176 lbs.

Note: Unit is supplied with 6' plug-in cord. (NEMA 6-15P)



Warning:

Plumbing connections should be made by qualified personnel who will observe all applicable plumbing, sanitary, and safety codes