

17-1/4"W Hand Sink with Side Splashes

Hand Sinks



Hand Sink Specifications

Material	304 stainless steel
Gauge	20 gauge
Sink Dimensions	17-1/4"W x 15"D x 13"H
Bowl Dimensions	14"W x 10"D x 5" Deep
Faucet	4" center wall mount faucet with 4-1/2" double bend spout (10-435L)
Drain	1-1/2" stainless steel drain
Plumbing	1/2" NPS hot and cold water 1-1/2" IPS drain outlet
Mount	Wall mount bracket

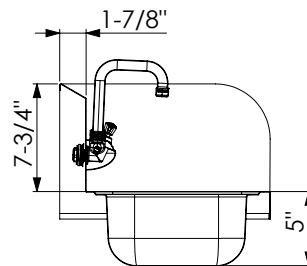
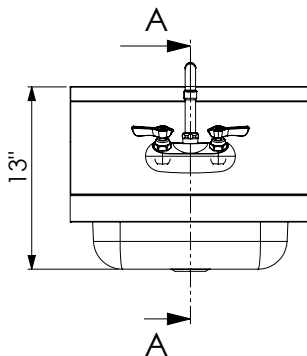
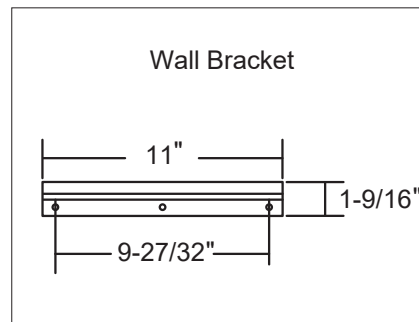
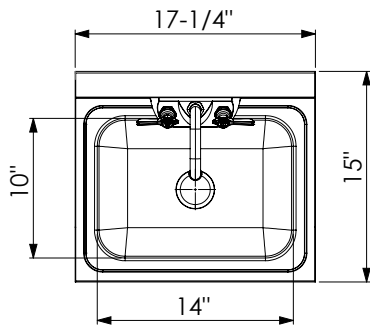
Model	Description	Weight
HS-26L	17-1/4"W Hand Sink with Side Splashes	15 lbs.
HS-26-LF	17-1/4"W Hand Sink with Side Splashes, Less Faucet	11 lbs.

Faucet Specifications

Model	10-435L
Water Inlet	1/2" Male NPS
Temp. Range	40°F - 180°F
Water Pressure	20 - 120 PSI
Flow Rate	0.5 GPM
Material	Solid Brass
Finish	Chrome Plated

Product Compliance

- NSF-2
- ASME A112.19.3/CSA B45.4
- Massachusetts Listed
- CEC Listed



SECTION A-A
SCALE 1 : 7

Warning:

Plumbing connections should be made by qualified personnel who will observe all applicable plumbing, sanitary and safety codes

California Prop 65 Warning:

This product can expose you to chemicals including lead and lead compounds, which are known to the State of California to cause cancer and birth defects or other reproductive harm. For more information go to www.cdph.ca.gov/Programs/CID/DCDC/Pages/Default.aspx