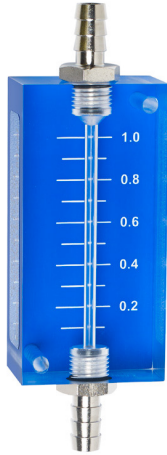




Model: **KLD-SINGLE** Item #: _____ Date: _____
 Project: _____ Qty: _____ Approved By: _____

Single In-Line Leak Detector

MASTERTAP

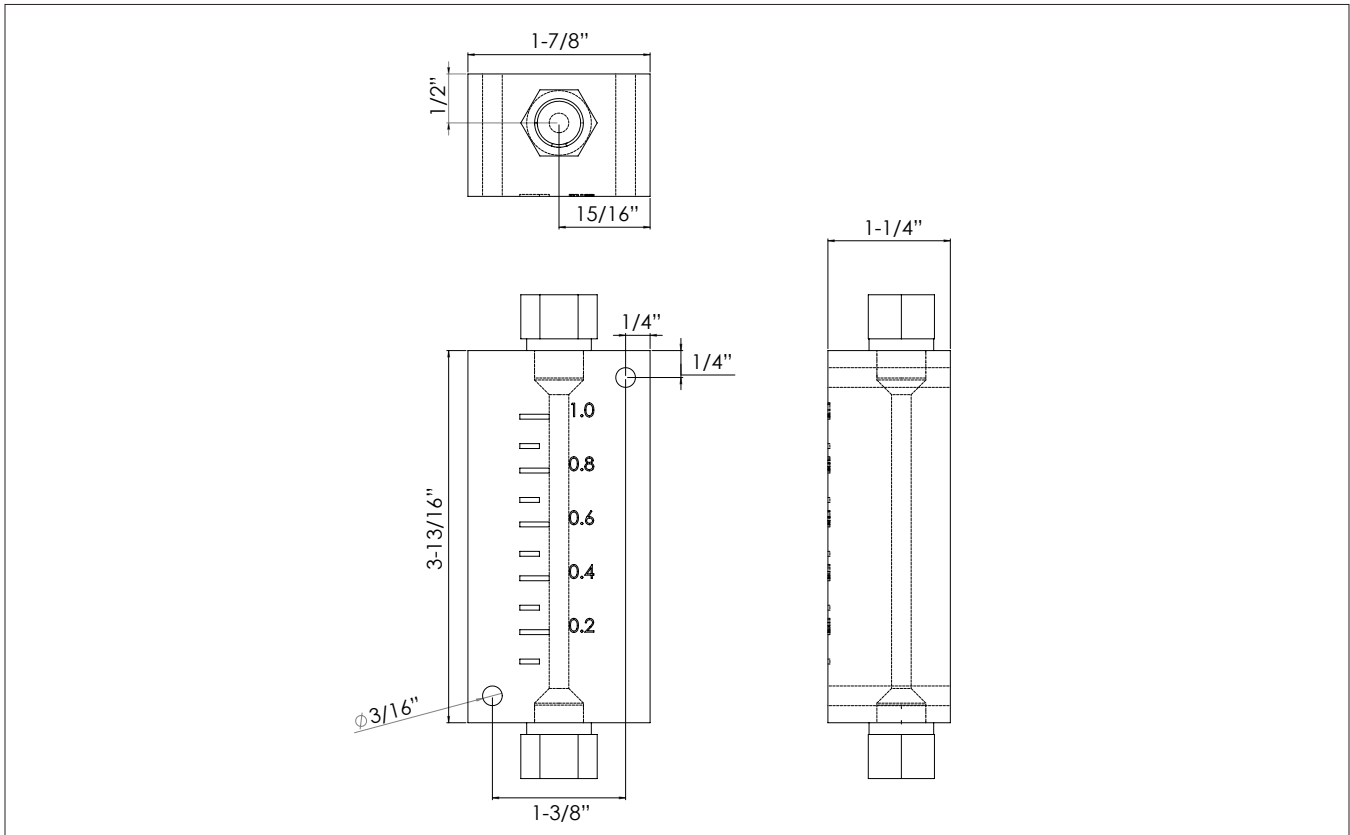


Standard Features

- Designed to indicate if a gas leak exists and provides approximation of the size of the leak(s) in seconds
- The height of the ball indicates the severity of the gas leak
- Indicator can be installed before or after the gas blender to locate different types of leaks
- Highly recommended on all jobs to identify and prevent leaks in systems resulting in wasted gas, electricity, and money
- A small leak of one-half cubic foot an hour wastes more gas each day than you would use to dispense two entire kegs of beer
- Includes screws and anchors for mounting holes and labels for easy identification on tubing

Specifications

Overall Dimensions	▪ 1-7/8" W x 4-15/16" H
Fittings	▪ Standard 1/4" Female NPT
Hose Barbs	▪ 3/8" (1/4" optional)
Maximum Pressure	▪ 150 PSI
Weight	▪ 0.6 oz



WARNING: This product can expose you to chemicals including lead and lead compounds, which are known to the State of California to cause cancer and birth defects or reproductive harm. For more information, go to www.P65Warnings.ca.gov