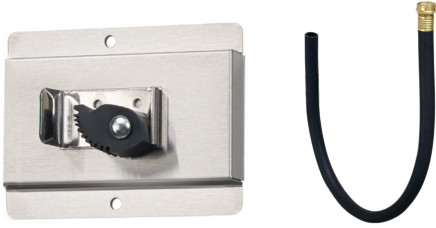


Mop Hangers

ROYAL SERIES



Standard Features

- Stainless steel construction
- Spring action grip
- MH-5 includes 30" rubber hose with 3/4" garden hose inlet



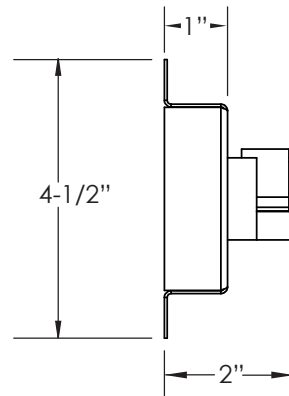
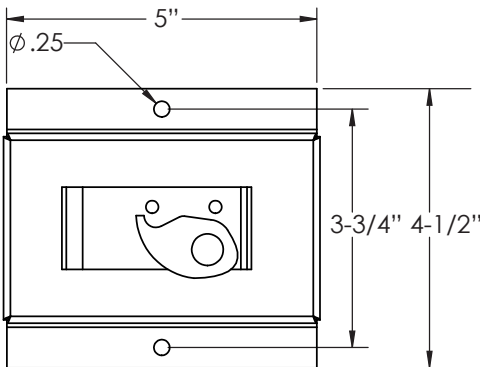
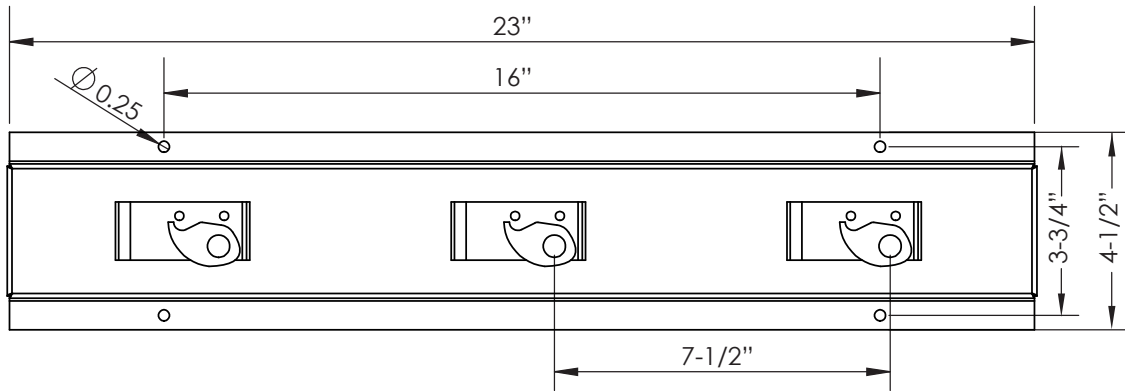
Specifications

Height	4-1/2"
Length	5" (MH-5) 23" (MH-24)

Model	Description	Weight
MH-5	Mop Hanger with 1 Grips	2 lbs.
MH-24	Mop Hanger with 3 Grips	3.5 lbs.

Product Compliance

- N/A



Warning:

Plumbing connections should be made by qualified personnel who will observe all applicable plumbing, sanitary and safety codes

California Prop 65 Warning:

This product can expose you to chemicals including lead and lead compounds, which are known to the State of California to cause cancer and birth defects or other reproductive harm. For more information go to www.P65Warnings.ca.gov.