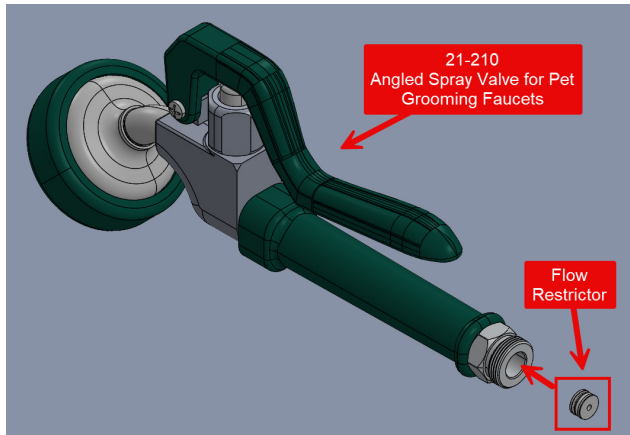


WARNING: Plumbing connections must be performed by a qualified plumber in accordance with all applicable plumbing, sanitary, and safety codes.

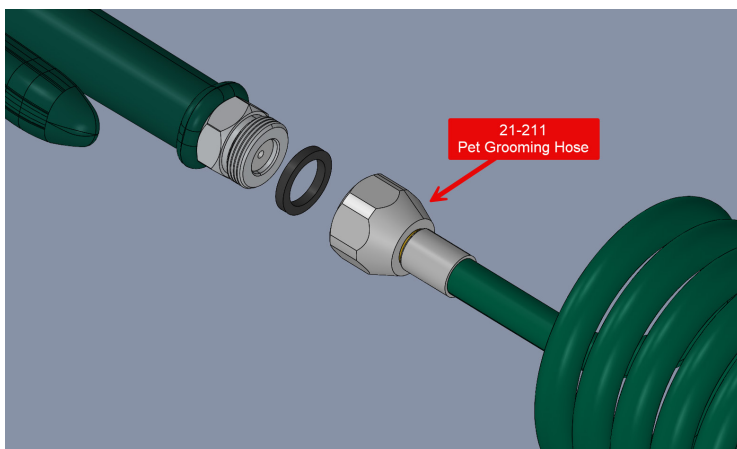
Note: This installation guide applies to all pet grooming items: 21-210, 21-215, 21-216, 21-217, 21-218, 21-2XXL, 21-244L, 21-248L, and 21-258L. Before installation, ensure all main water supply lines are shut off and that the flow restrictor is installed to limit the spray head to 2.5 GPM.

Push the flow restrictor into the spray head opening. No special orientation is required.



①

Securely tighten the coiled hose to the spray head. Be sure to install the O-ring included with the coiled hose to prevent leaks.



②