

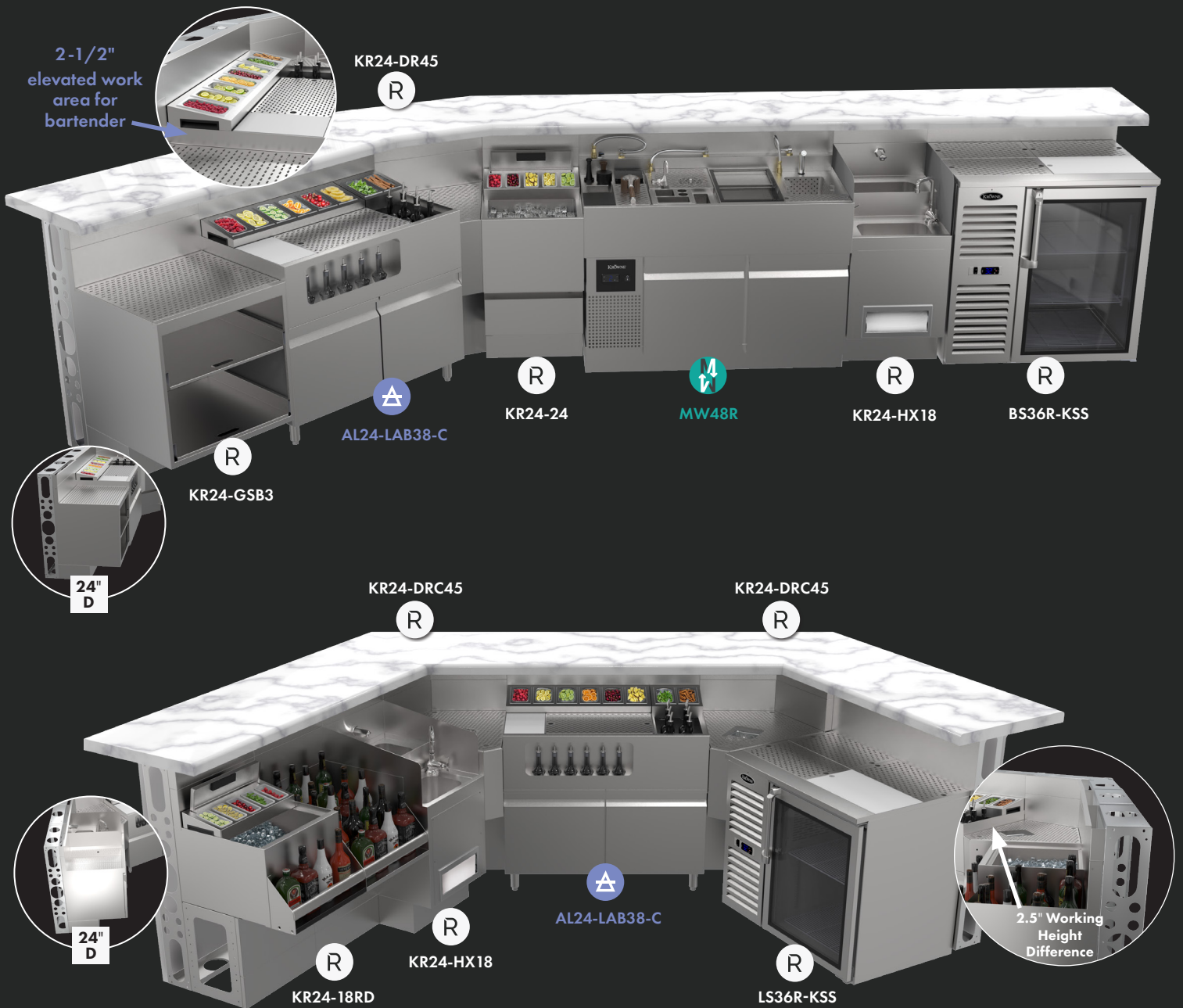
# BLEND<sup>ED</sup> BAR DESIGN

Our Premium Bar lines are built with flexibility in mind sharing the same 24" platform so bar designers can mix & match between the three. Perfectly aligned backsplashes allow for seamless transitions. Need corners or custom angles? Integrate our Royal Series for a beautiful finish.

**R** Royal Series  
Built at 30" working height

**A** Alchemy Series  
Built at 32-1/2" working height

**M** MoveWell Series  
Built at 32-1/2" working height

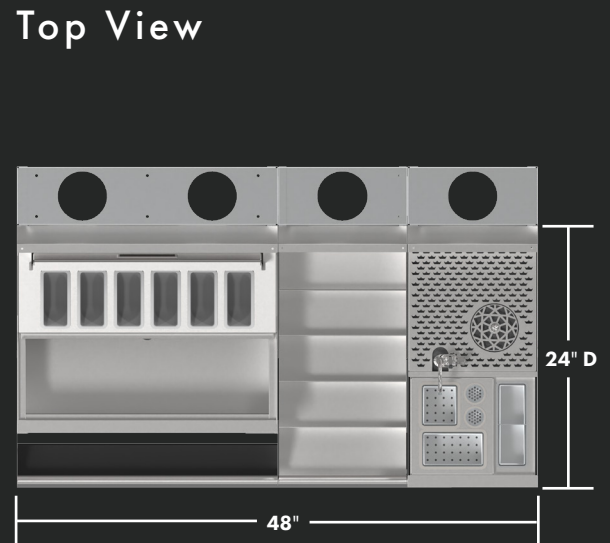
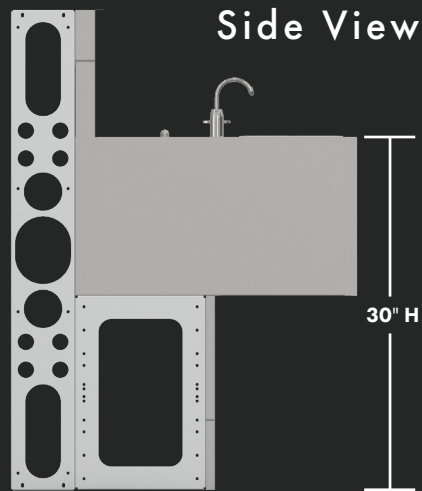


# SERIES COMPARISON

KROWNE®

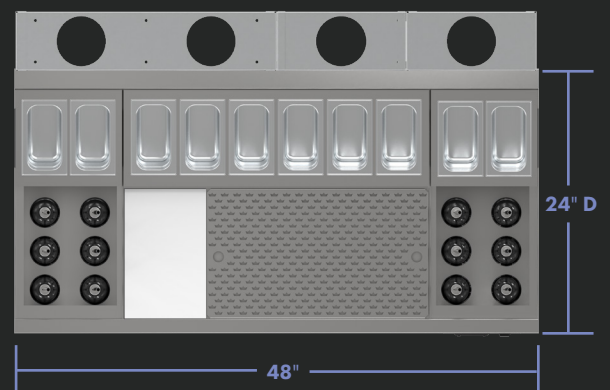
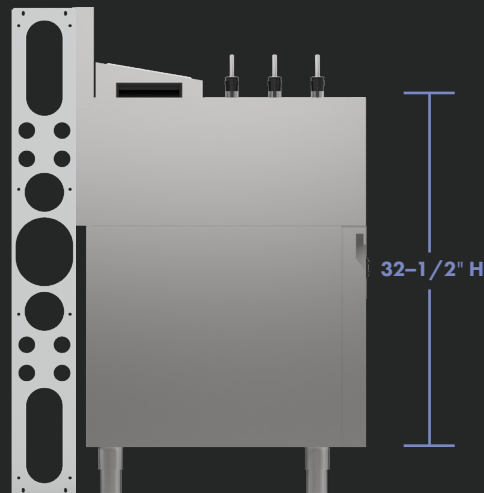
## R Royal Series

- Offers a wide range of standard & custom solutions for bartenders.
- Over 1,000 pieces available with 30" working height & 19", 24" & 29" front-to-back depth options.
- Designed with perfectly aligned backsplashes to allow seamless transitions that can be easily paired with Alchemy & MoveWell Series equipment.



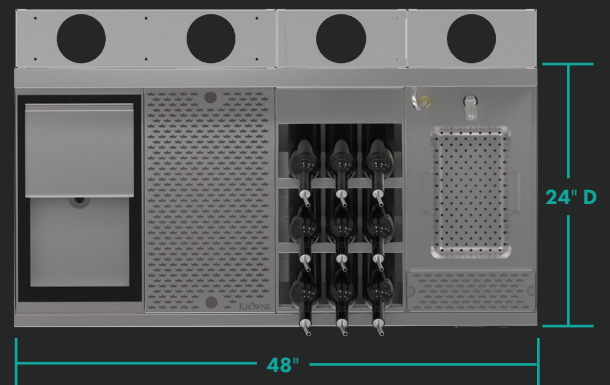
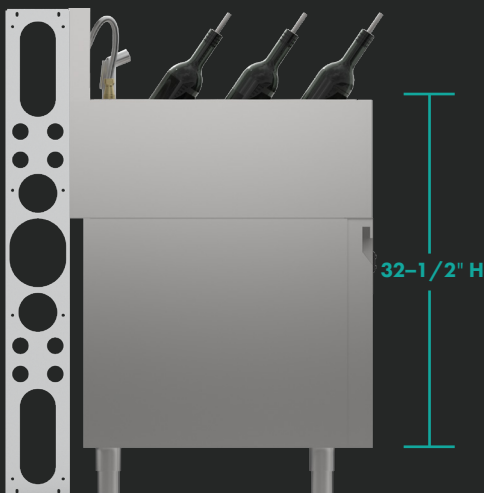
## A Alchemy Series

- Built to deliver high-end performance & efficiency in upscale commercial bars & restaurants.
- A selection of fully equipped work stations, including garnish, elixir & bitter solutions, ultra low profile refrigeration, integrated worktops & cabinet bases.
- 32.5" working height with 24" front-to-back depth, providing ergonomic functionality & the flexibility to mix & match with other series to create a seamless workstation.



## M MoveWell Series

- Features modular, adaptable components ideal for workplaces that require frequent adjustments.
- This series allows for easy modification of workstations, improving workflow & supporting long-term ergonomic comfort.
- 32.5" working height & 24" front-to-back depth allowing seamless integration with Royal & Alchemy Series.



Build your own Royal, Alchemy & MoveWell blended bar today!



BarFlex<sup>PRO</sup>  
BY KROWNE